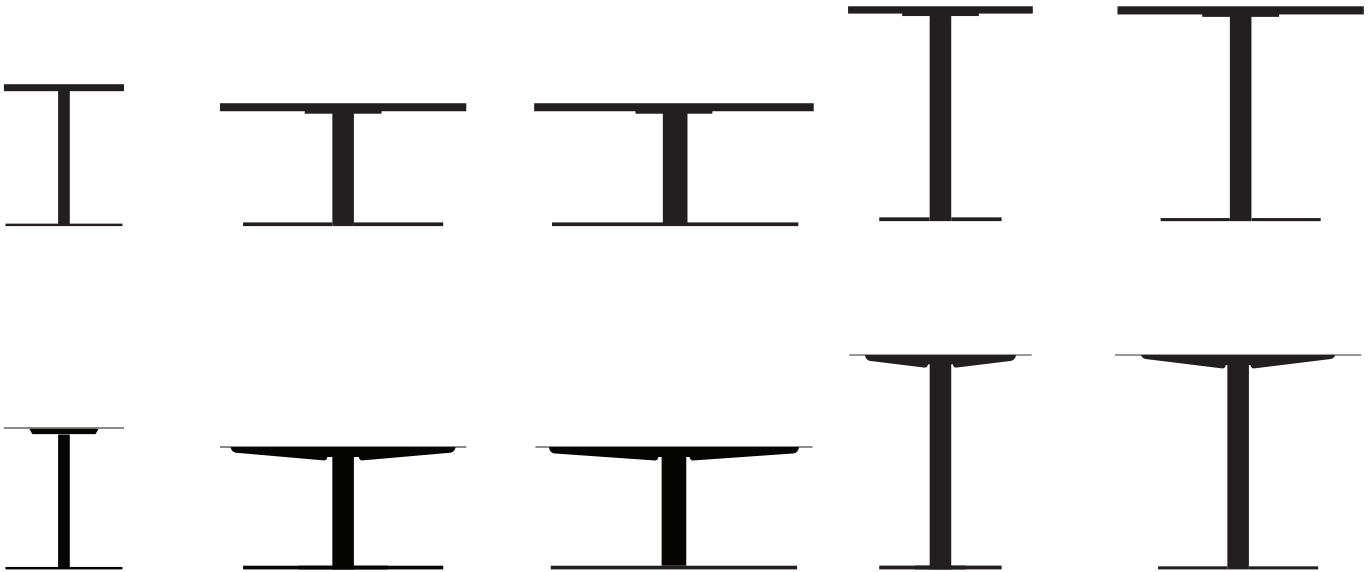
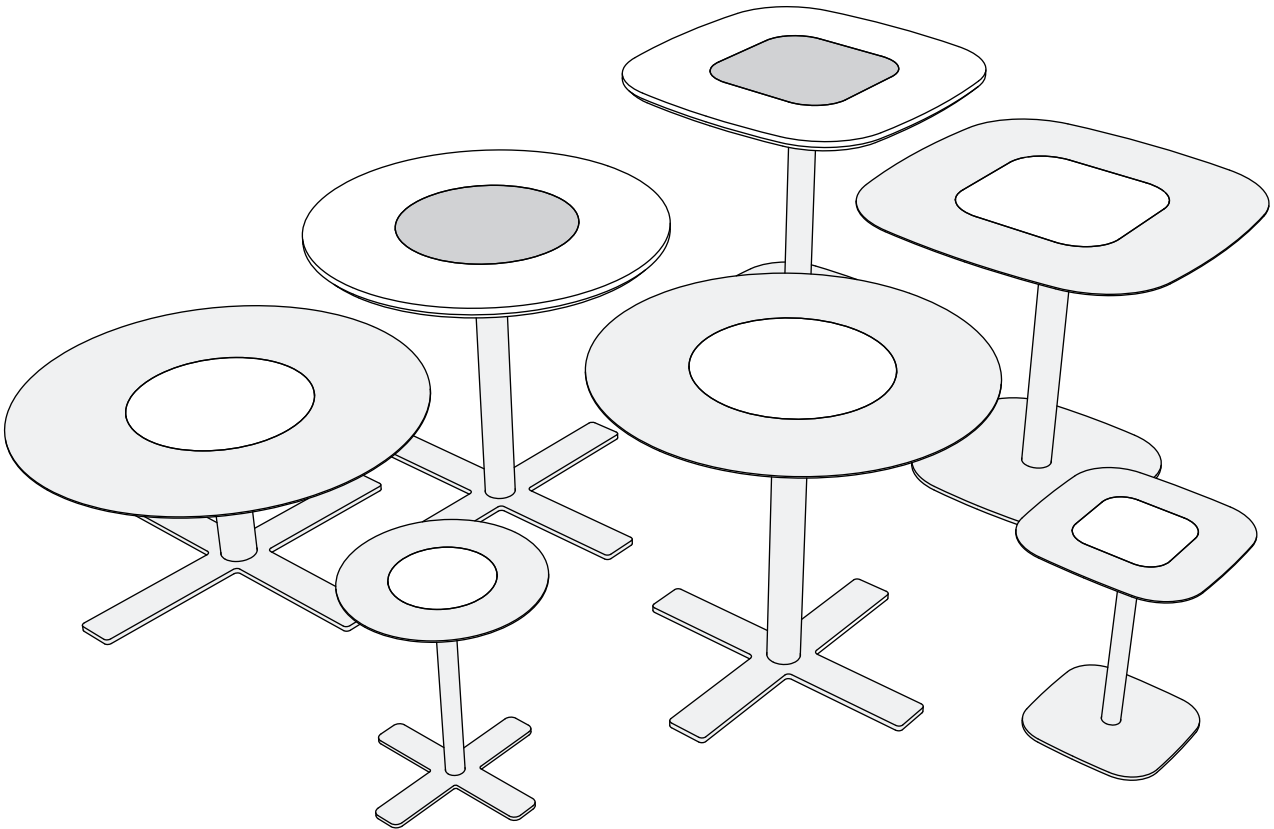


# BLUSH SERIES

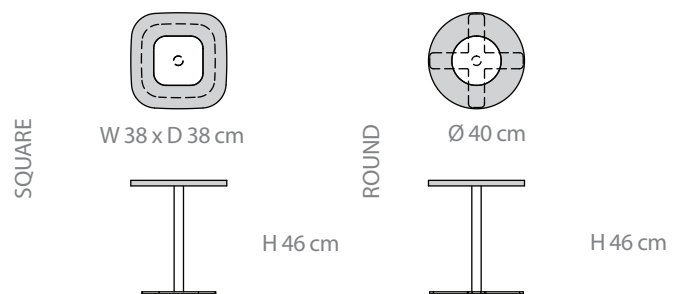
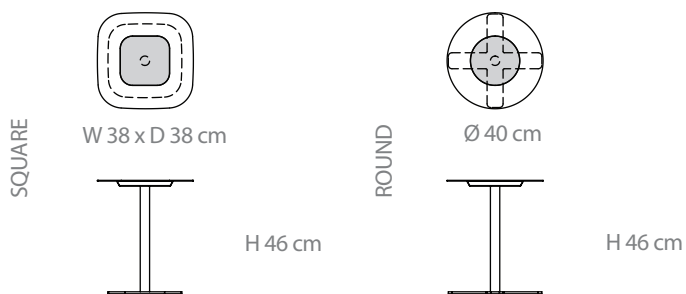
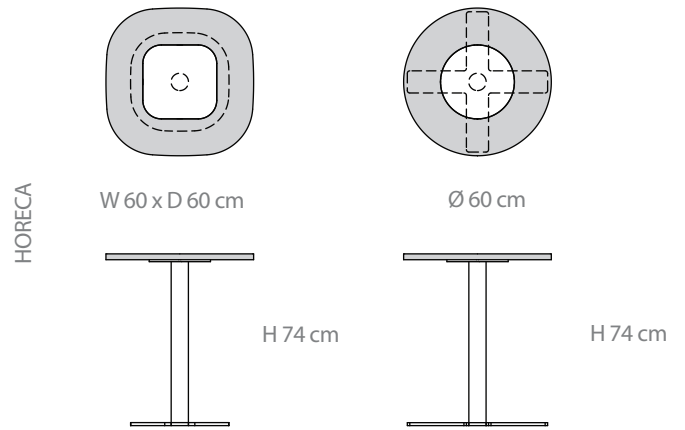
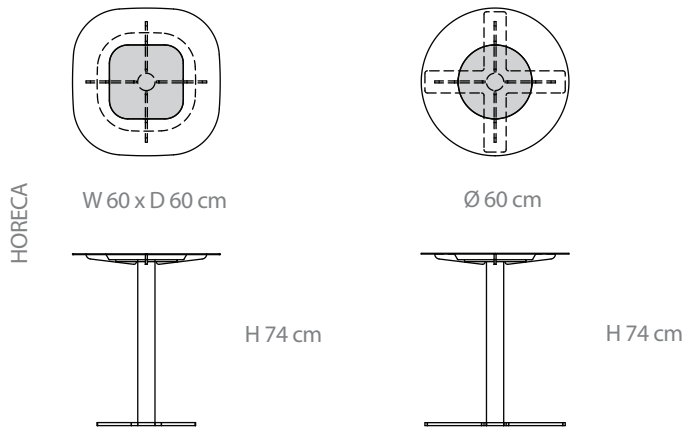
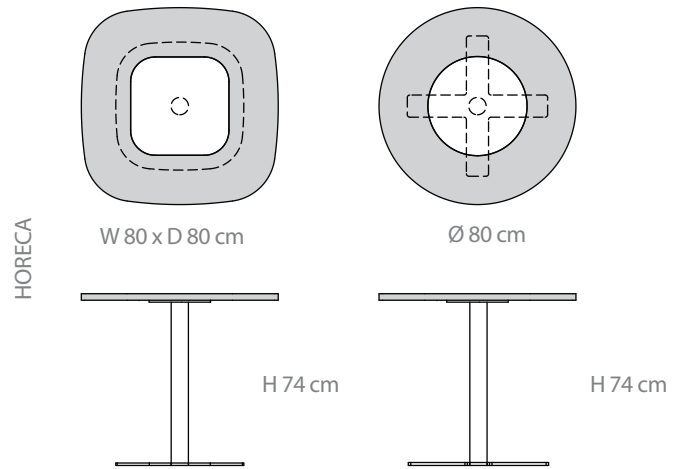
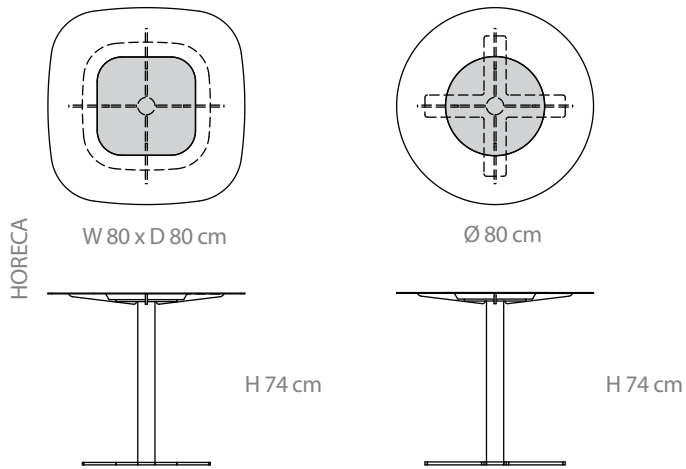
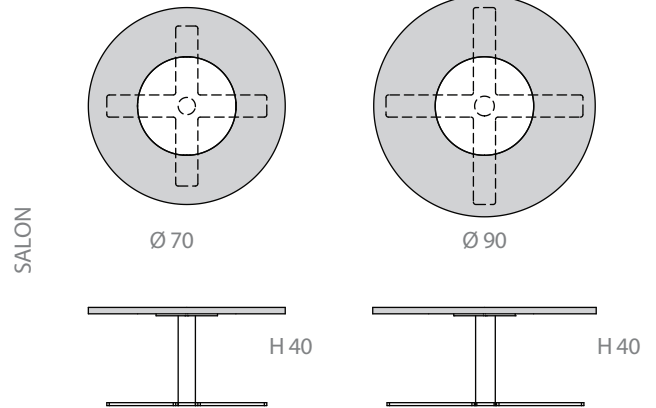
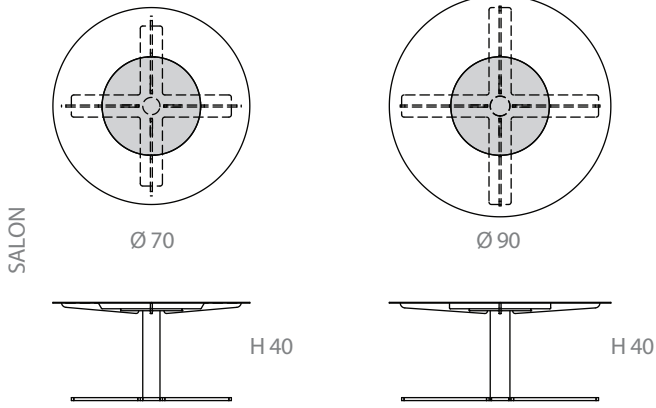


spell<sup>®</sup>

# BLUSH SERIES

STEEL / WOOD

WOOD / STEEL



spell®

Spell, Westervoortsedijk 73, building KB 6827AV Arnhem, The Netherlands, t: +31 (0)26 3610162, www.spell-online.com

Any information contained here is proprietary of Spell. All rights reserved.