

spell[®]


MANUAL

CATWALKER TABLE

CATWALKER_{MANUAL}

CA.TA.11.01

What you will need:

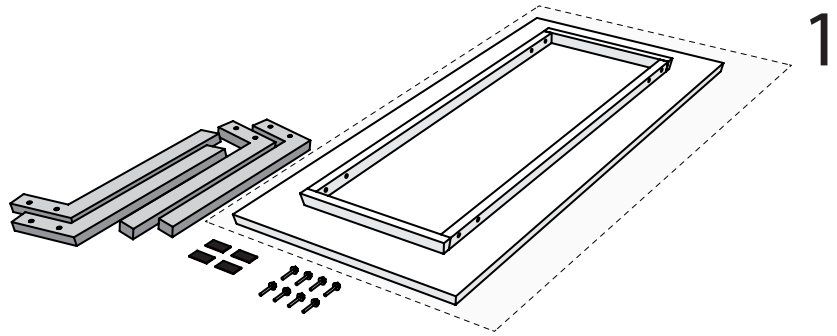
- Ring spanner or a ratchet ring spanner 17MM. 
- At least 4 strong hands to carry and turn over the solid wood table of 70-80kg.

- Collect all needed items together.

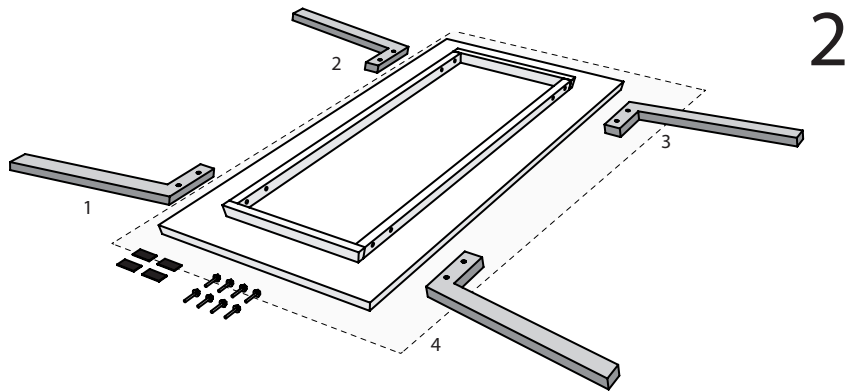
- Clean the floor and make enough space for the table installation.

- Place the tabletop upside down to the floor without removing the packaging. (to protect your tabletop)

- Open the package and reveal the undercarriage.

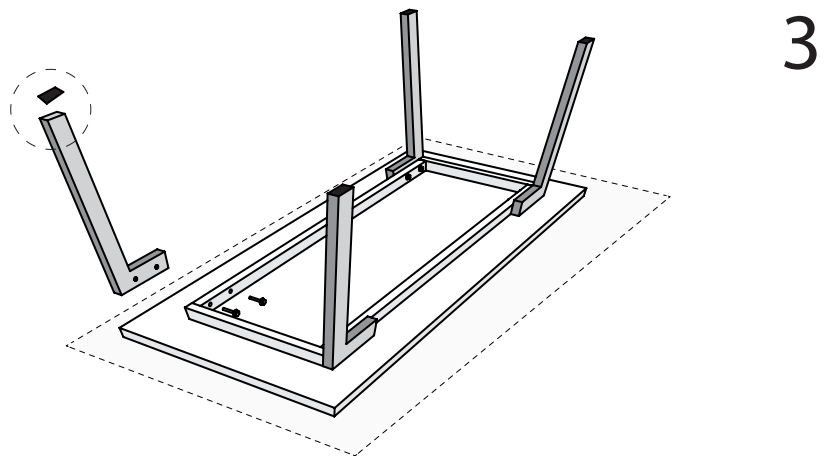
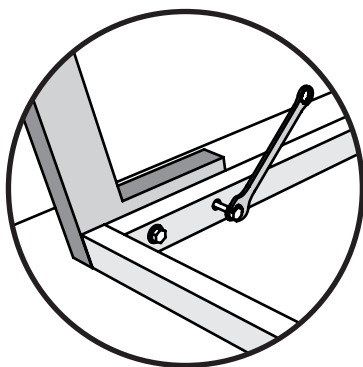


- Every table corner corresponds to a particular leg. Please see the numbering on each leg.



- Screw the legs on the table with a 17MM spanner but just tight enough for the moment.

- Stick the felts on every table leg.

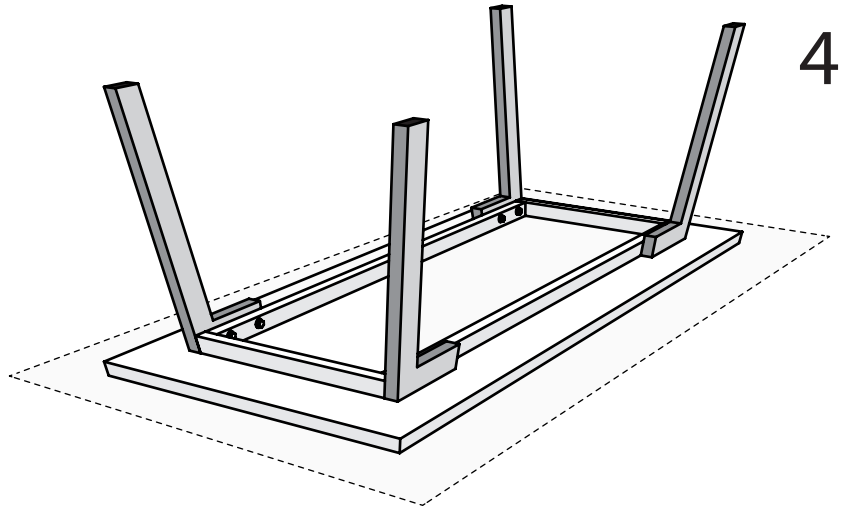


spell[®]



- Pick the table up from the tabletop with 2 strong persons.

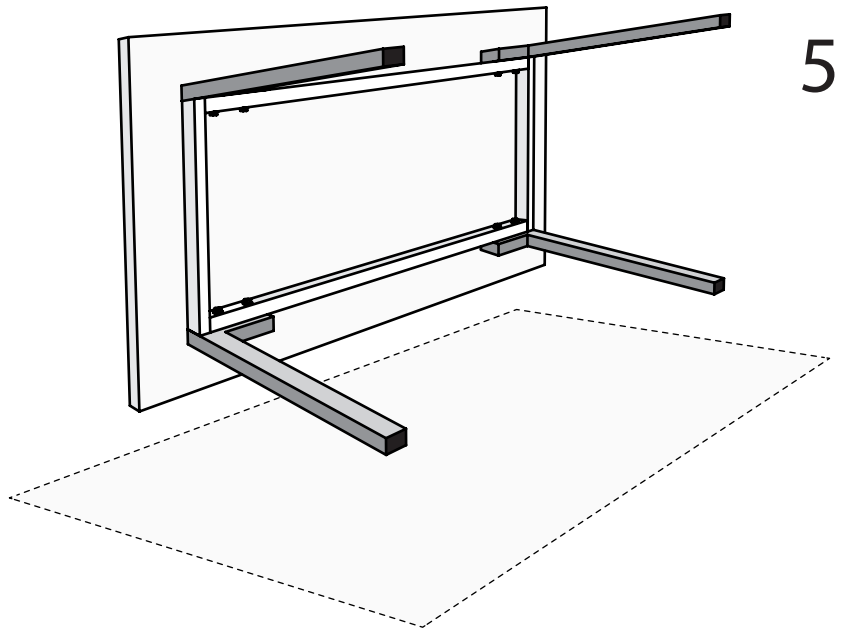
Please note: Do not lift up the table from the legs!



- Flip it over in two steps!

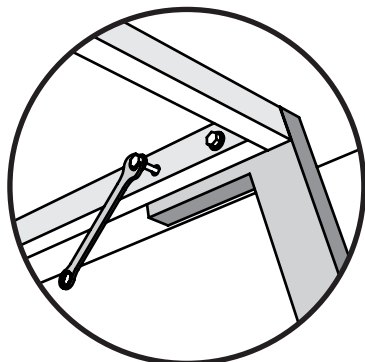
(Switch hands while flipping the table to protect your back from the weight).

Not in one time!



- Tighten up the screws on the legs and move the Catwalker in position.

- Wipe the table with a soft cloth and enjoy!



spell[®]