

spell[®]

MANUAL

SHIFT



Important information
Read carefully.
Keep this information for
further reference.

The assembly should be carried out by a qualified person due to the fact that wrong assembly can lead to that the furniture/object topples or falls resulting in personal injury or damage.



CAUTION!

- Follow the Manual carefully for a Complete, Safe installation and Use.
- Always unplug power and remove devices from the "SHIFT" before mounting and cleaning.
- Do not store, place or use the "SHIFT" close to water or in moisture.
- Do not use the "SHIFT" with frayed, damaged or broken plugs.
- Don't lean over the "SHIFT" drawer when open.

MANUFACTURER.

Spell, Industrial Park Kleefse Waard, Westervoortsedijk 73, building KB, 6827 AV Arnhem, The Netherlands
 tel: +31 (0)26 3610162, email: info@spell-online.com, www.spell-online.com

CLASSIFICATION.

Table / storage system in steel / wood. This product is intended for indoor use for the residential and contract sector (hotels, meeting rooms ...).

ATTENTION.

This data sheet conforms to law article; Civil Code, Book 7, Title 1, Section 9A. "Distance contracts" dated 26th February 2014. and "Purchase Agreements" from Book 6 dated 26th February 2014.

MATERIALS USED.

Structure: Epoxy powder coated steel with galvanised steel rods and bolts.

Top: Solid wood (Walnut / Oak). **Caps:** Felt or nylon.

CLEANING. (Please see also manual: Maintenance Wood & Steel)

- Always unplug power and remove devices from the "SHIFT" before cleaning.

Steel surfaces: Powder-coated steel is waterproof therefore stains remain on the surface. Nevertheless, it is advisable to clean any stains immediately by wiping with a soft cloth, especially if the coated surface comes into contact with highly colored substances. Do not use aggressive products. Avoid rubbing the lacquered / coated surface. It is advisable to use neutral detergents diluted in water for cleaning.

Wood surfaces: Clean with a soft cloth slightly dampened with water and neutral soap, then immediately dry with a soft dry cloth. Do not use acidic or abrasive products, or solvents. As time pass, the color of wood naturally ages. Direct sunlight in particular, may significantly alter the color of any exposed parts. Ensure a good and constant air humidity (60%)

FINISHES.

Slight differences in the shade may be present between the various elements and in the case of products purchased at different times, the time lapse and climatic-natural factors may cause variations in color and/or shade. The afore-mentioned differences are no grounds for claims and/or the return of goods.

The guarantee does not cover damage due to improper use, installation of the product or damage which may occur during shipping.

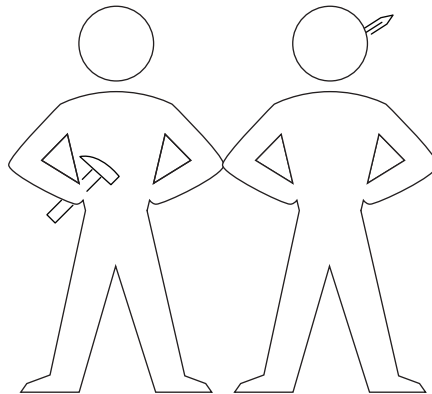
What you will need:

17 MM



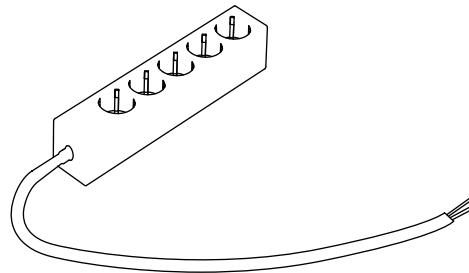
- Ring spanner or a ratchet ring spanner

min 2x

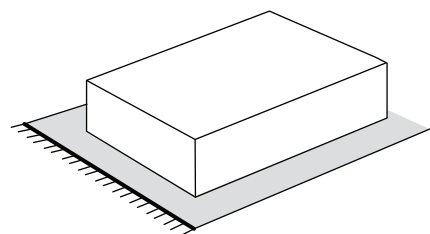
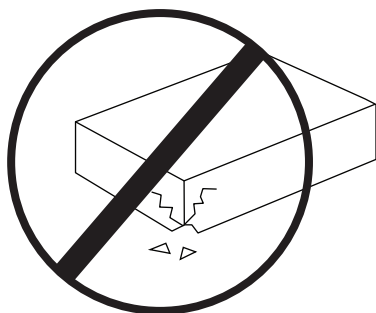


- At least 4 strong hands to carry and turn over the solid wood table of 70-80kg.

min 3m



- For the "Urban Plus" & "Metropolitan Pro" models at least 3-4 meters of power cable.



- Use a soft underground surface to work on, such as a thick carpet or on the existing packaging.

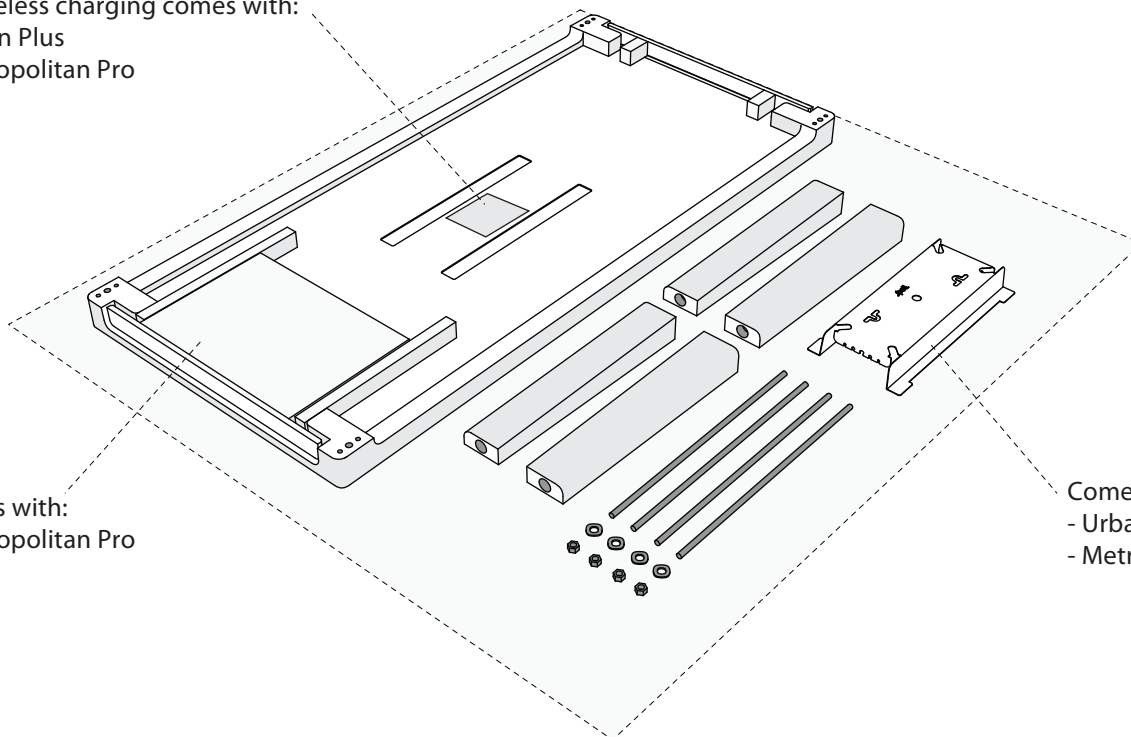
If you have any questions, please call us.

spell®



Qi wireless charging comes with:

- Urban Plus
- Metropolitan Pro

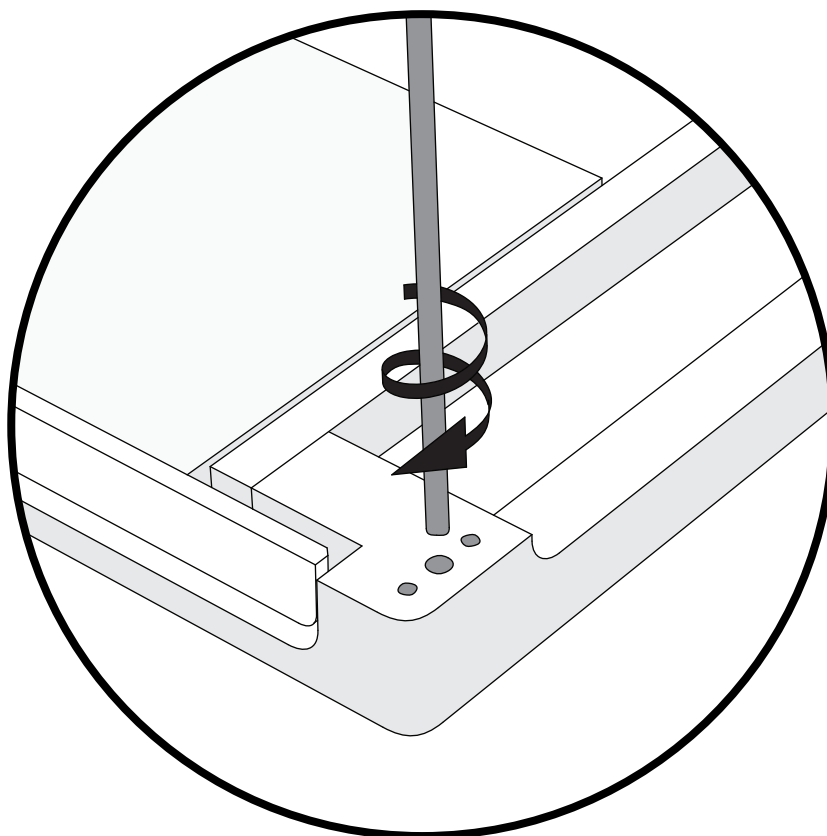


Comes with:
- Metropolitan Pro

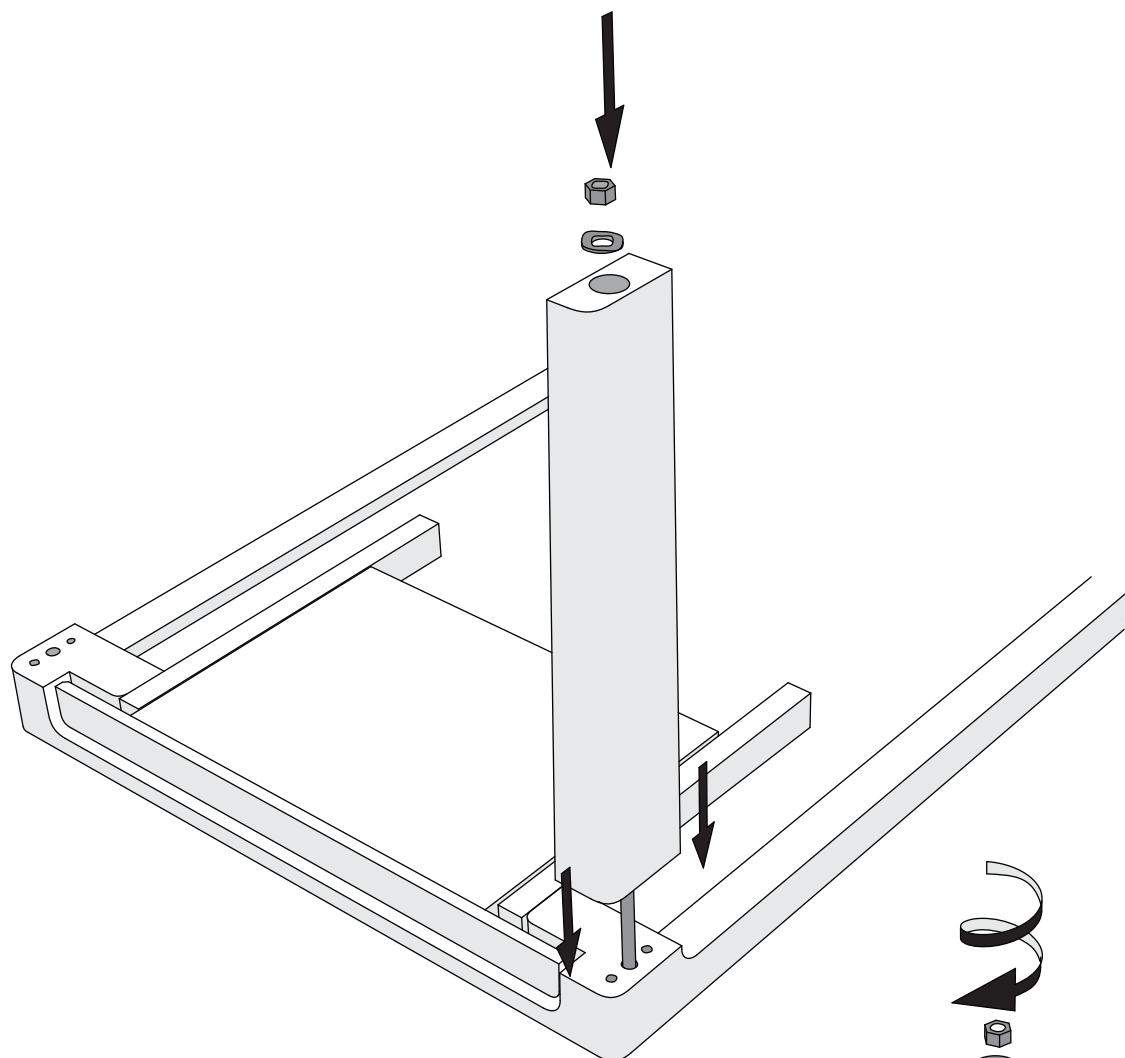
Comes with:
- Urban Plus
- Metropolitan Pro

1

x4



2



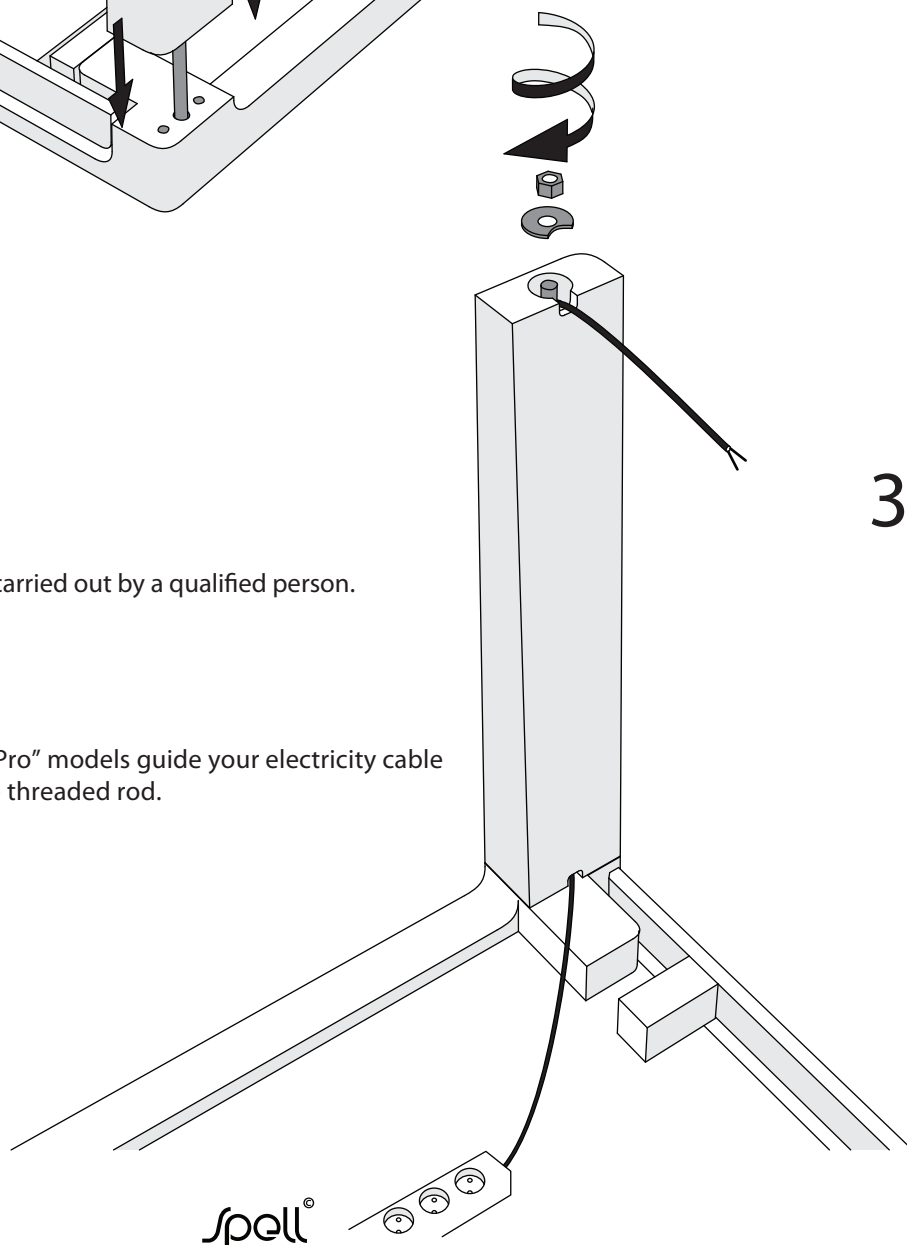
3

**CAUTION!**

Electrical cables are not provided.
The assembly of electronics should be carried out by a qualified person.

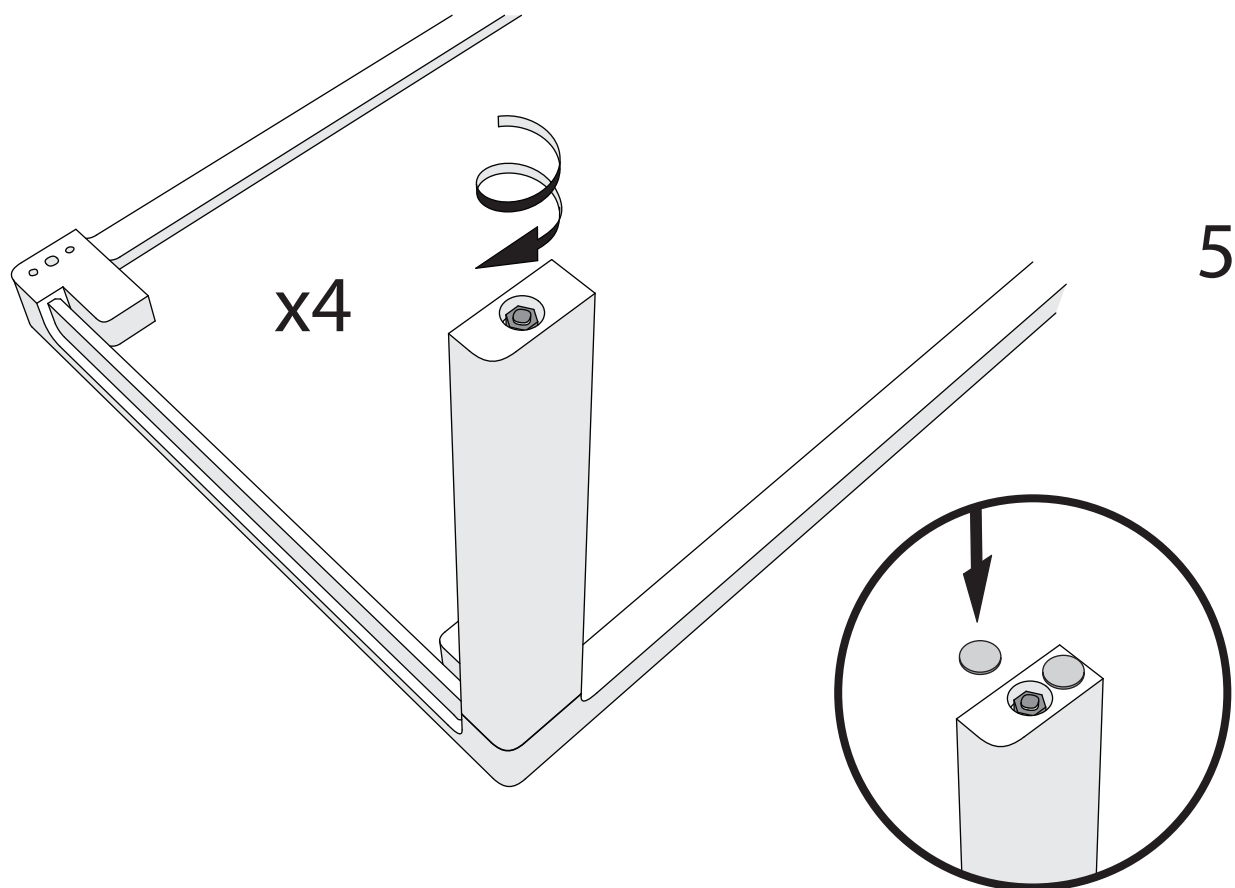
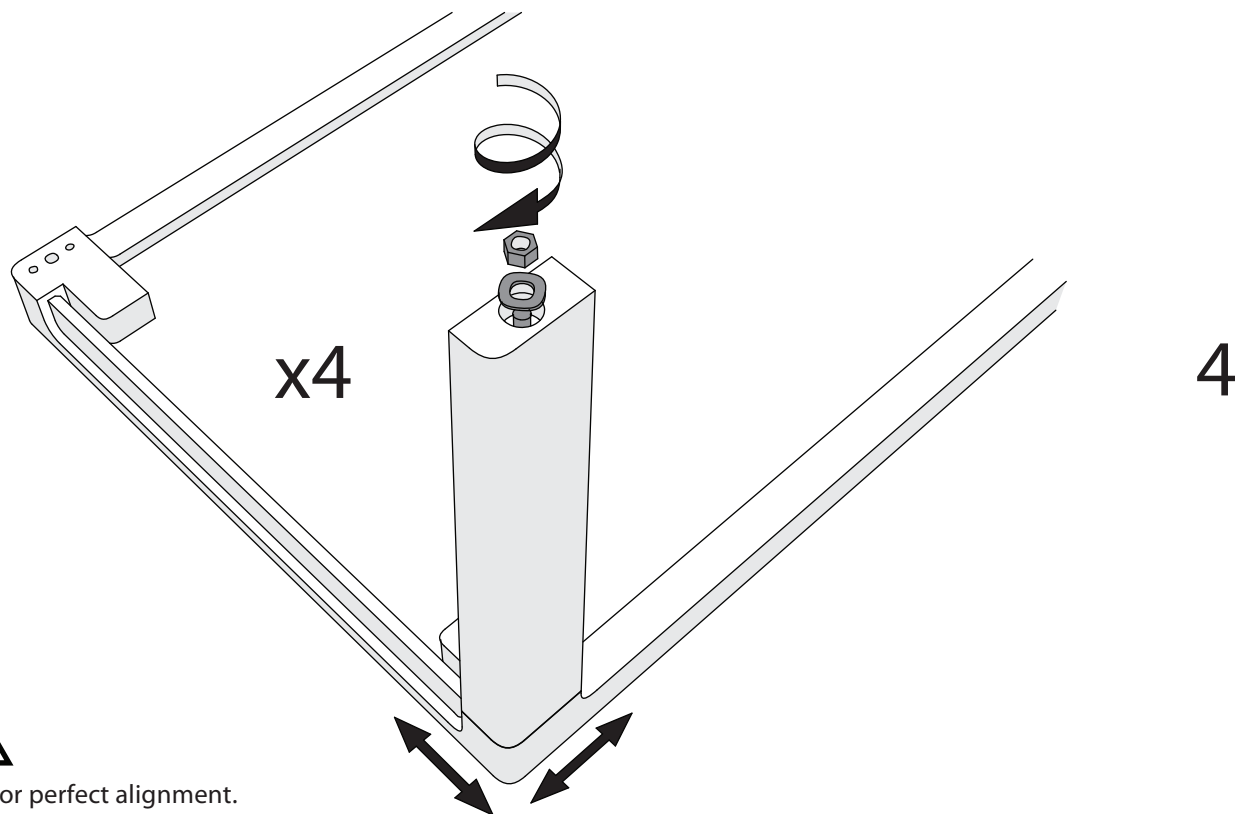


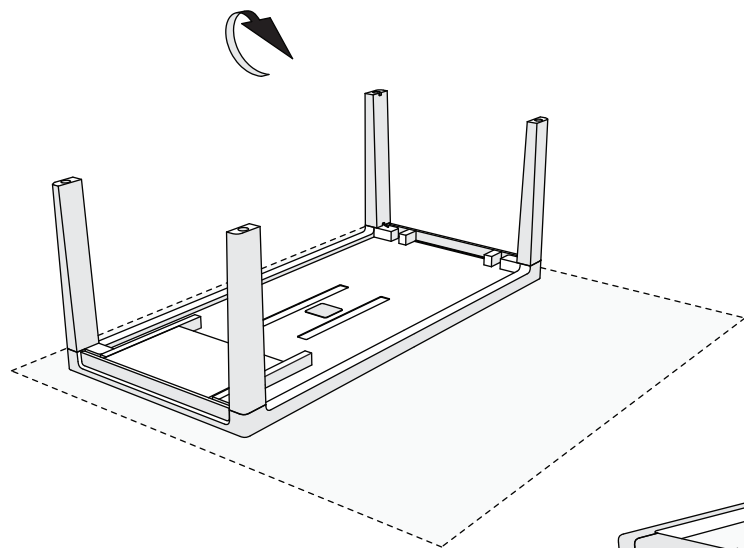
For the "Urban Plus" & "Metropolitan Pro" models guide your electricity cable through the leg first and after over the threaded rod.



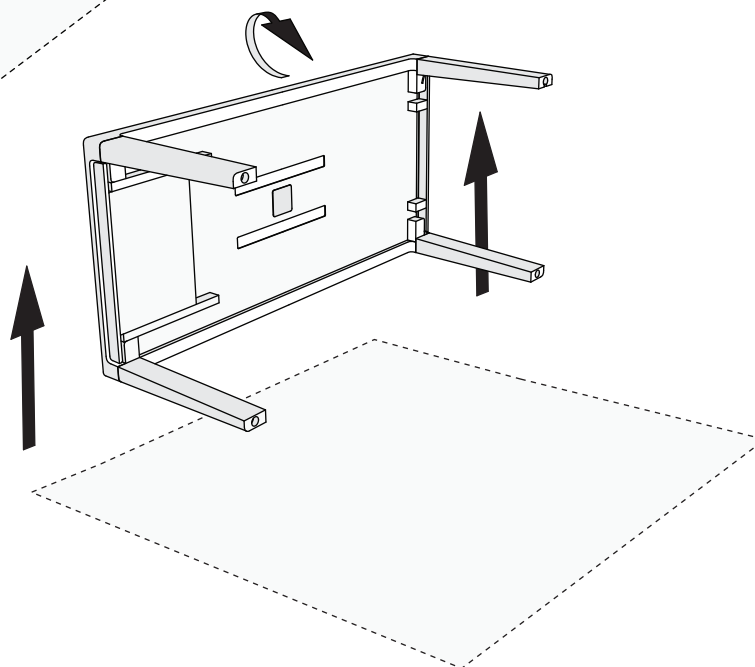
3a



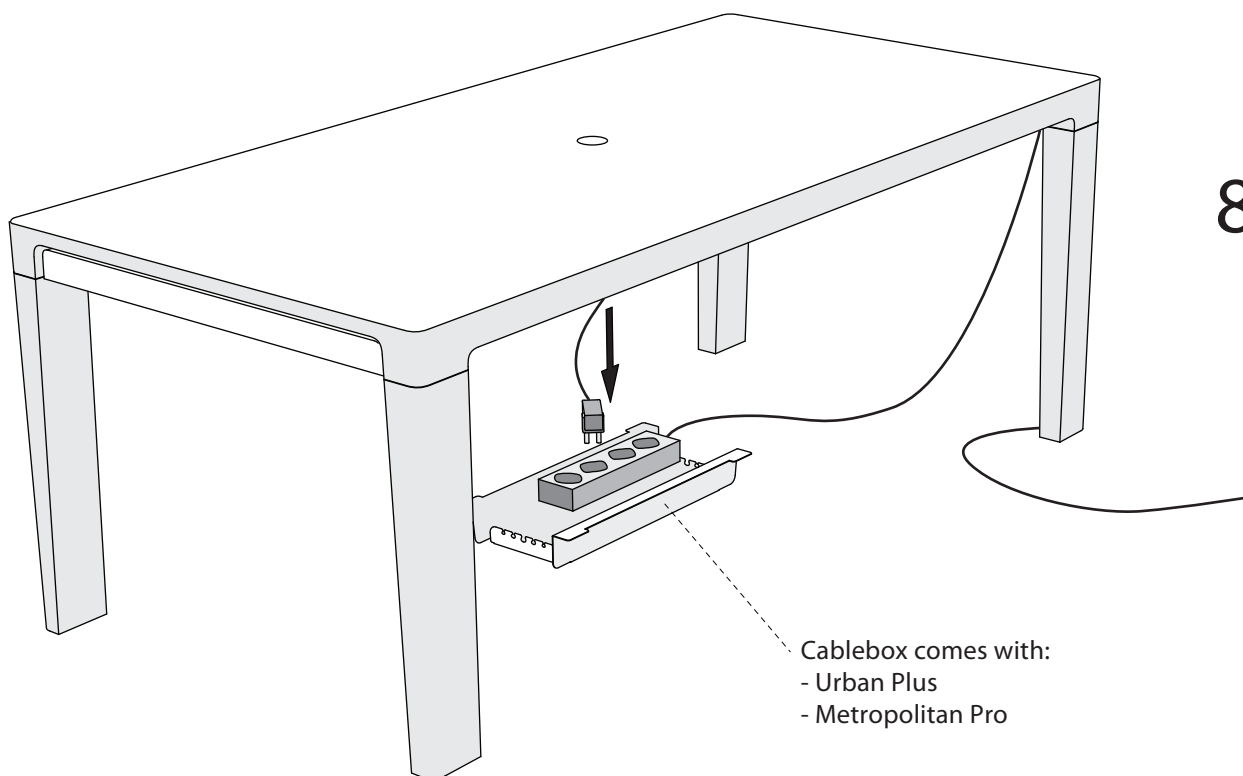




Turn over the table in 2 steps.
DONT LEAN TABLE ON THE 2 LEGS WHILE
TURNING OVER !!



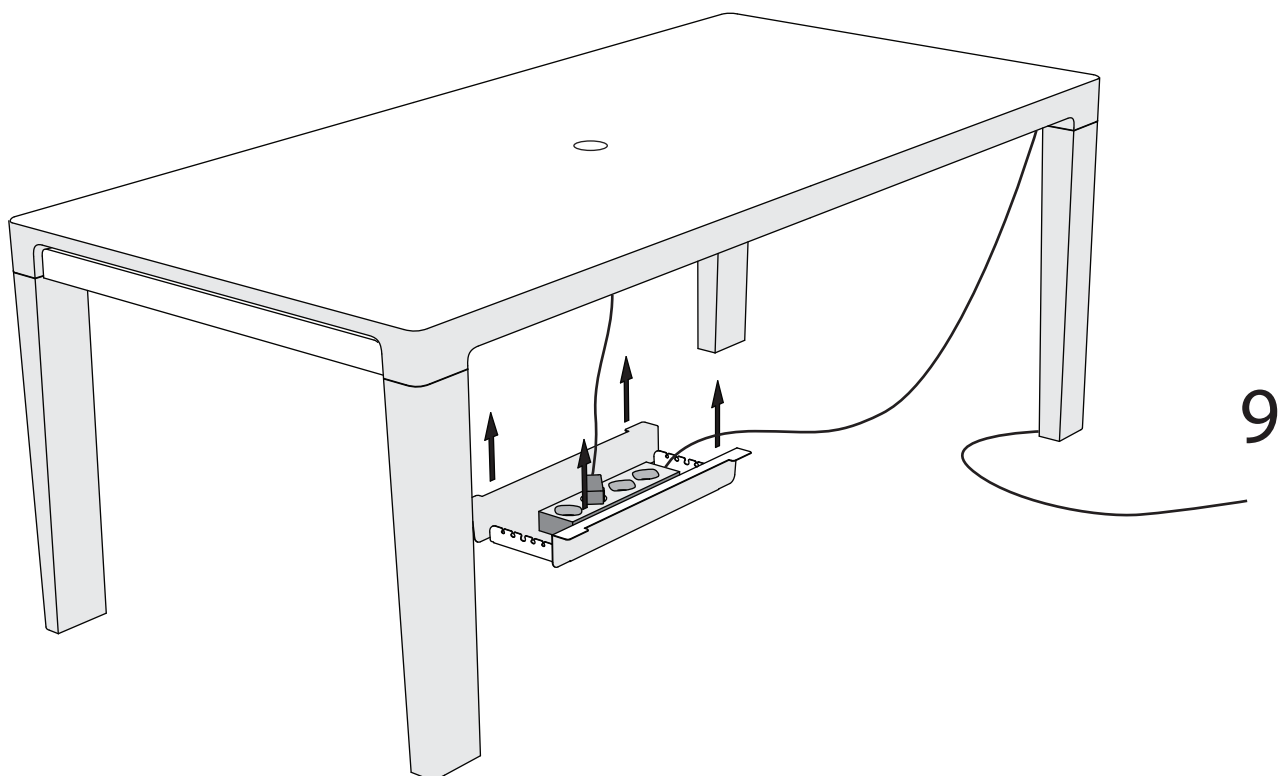
7



8

Cablebox comes with:
- Urban Plus
- Metropolitan Pro

spell®

**CAUTION!**

Electrical cables are not provided.
The assembly of electronics should be carried out by a qualified person.

