

spell[®]

MANUAL

STAGE



Important information
Read carefully.
Keep this information for further reference.

The assembly should be carried out by a qualified person due to the fact that wrong assembly can lead to that the furniture/object topples or falls resulting in personal injury or damage.

NOTE!

Screws or fittings to fix the furniture/object to the wall/ceiling are not included. Always choose screws and fittings that are specially suited to the material in your wall/ceiling and have sufficient holding power. If you are uncertain, contact your local specialized retailer.



CAUTION!

- Follow the Manual carefully for a Complete, Safe installation and Use.
- Always unplug power and remove devices from the "STAGE" before mounting and cleaning.
- Do not store, place or use the "STAGE" close to water or in moisture.
- Do not use the "STAGE" with frayed, damaged or broken plugs.
- When you open / close the "STAGE", always remove devices from the slot.
- Max. Load (Closed) **15 Kg.** Only when mounted on a Solid Wall.
- Max. Load on Top (Open) **5 Kg.** Only when mounted on a Solid Wall.
- Don't lean over the "STAGE" when open/closed.

MANUFACTURER.

Spell, Industrial Park Kleefse Waard, Westervoortsedijk 73, building KB, 6827 AV Arnhem, The Netherlands
 tel: +31 (0)26 3610162, email: info@spell-online.com, www.spell-online.com

CLASSIFICATION.

Shelving / storage system in steel / wood. This product is intended for indoor use for the residential and contract sector (hotels, meeting rooms ...).

ATTENTION.

This data sheet conforms to law article; Civil Code, Book 7, Title 1, Section 9A. "Distance contracts" dated 26th February 2014. and "Purchase Agreements" from Book 6 dated 26th February 2014.

MATERIALS USED.

Structure: Epoxy powder coated steel with stainless steel drawer slides and extended celrubber cover.
Top: Solid wood base (Walnut / Oak) with epoxy coated steel supports. **Caps:** thermoplastic nylon and rubber.



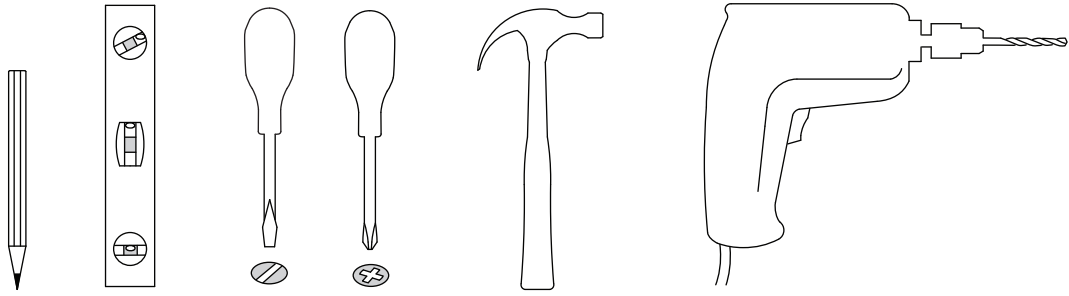
CLEANING. (Please see also manual: Maintenance Wood & Steel)

- Always unplug power and remove devices from the "STAGE" before cleaning.
- Steel surfaces:** Powder-coated steel is waterproof therefore stains remain on the surface. Nevertheless, it is advisable to clean any stains immediately by wiping with a soft cloth, especially if the coated surface comes into contact with highly colored substances. Do not use aggressive products. Avoid rubbing the lacquered / coated surface. It is advisable to use neutral detergents diluted in water for cleaning.
- Wood surfaces:** Clean with a soft cloth slightly dampened with water and neutral soap, then immediately dry with a soft dry cloth. Do not use acidic or abrasive products, or solvents. As time pass, the color of wood naturally ages. Direct sunlight in particular, may significantly alter the color of any exposed parts. Ensure a good and constant air humidity (60%)

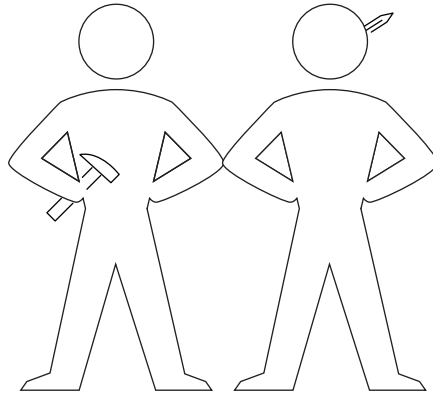
FINISHES.

Slight differences in the shade may be present between the various elements and in the case of products purchased at different times, the time lapse and climatic-natural factors may cause variations in color and/or shade. The afore-mentioned differences are no grounds for claims and/or the return of goods.

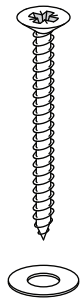
The guarantee does not cover damage due to improper use, installation of the product or damage which may occur during shipping.



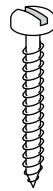
min 2x



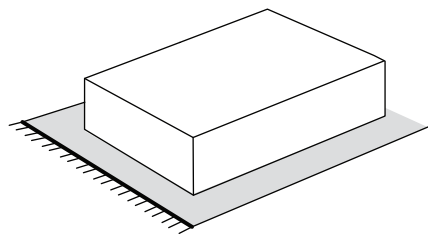
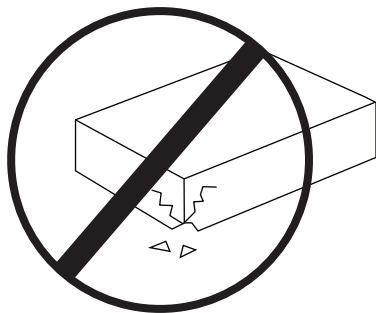
min 6x



2x

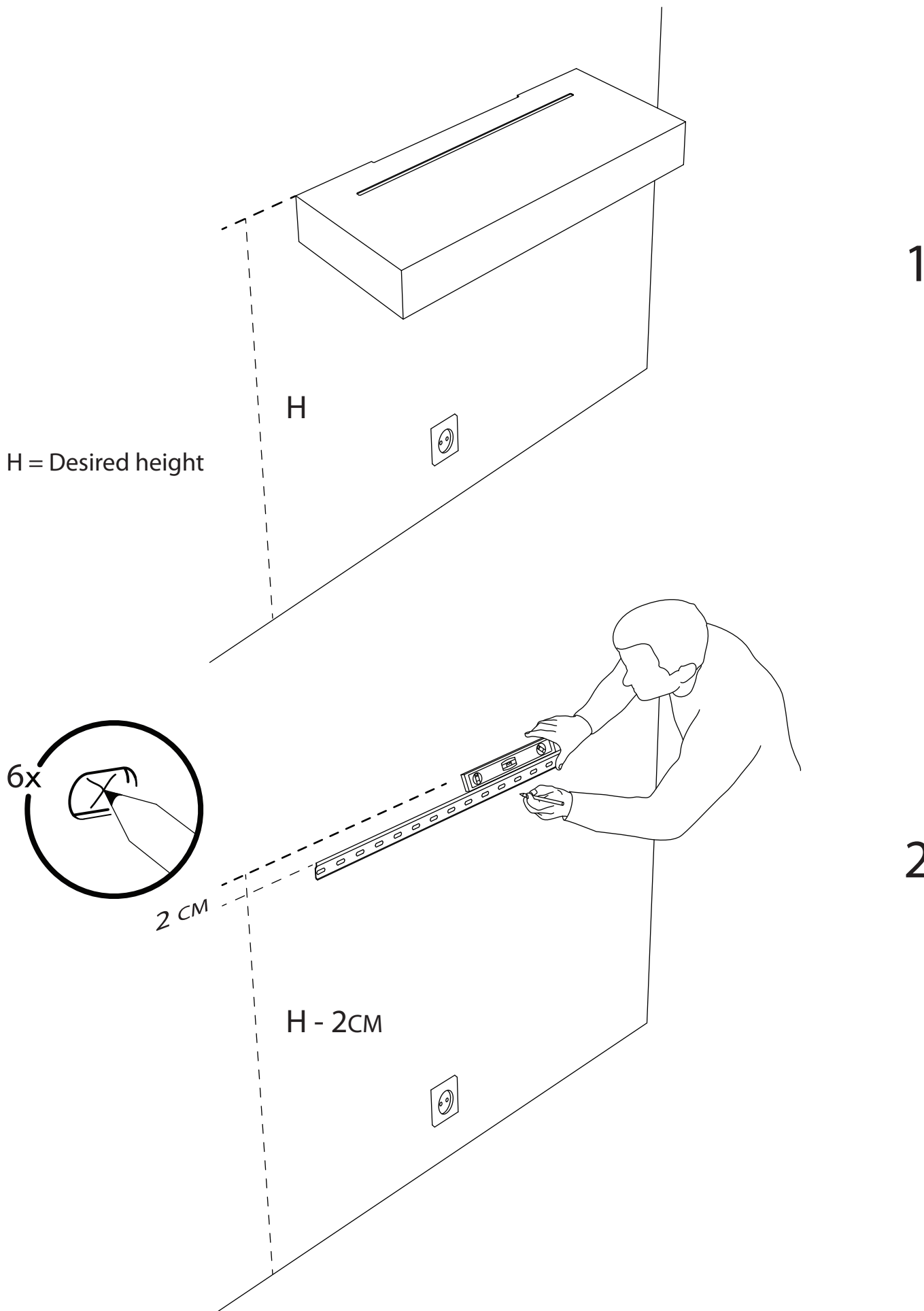


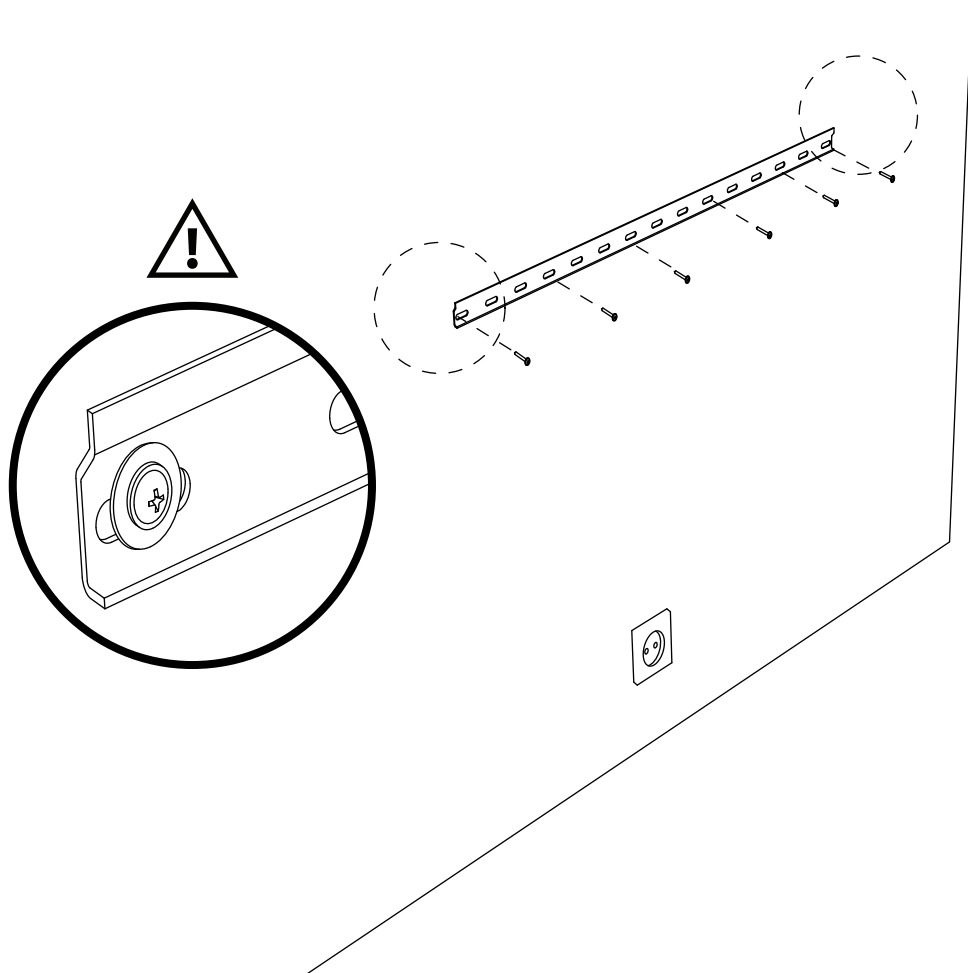
2x



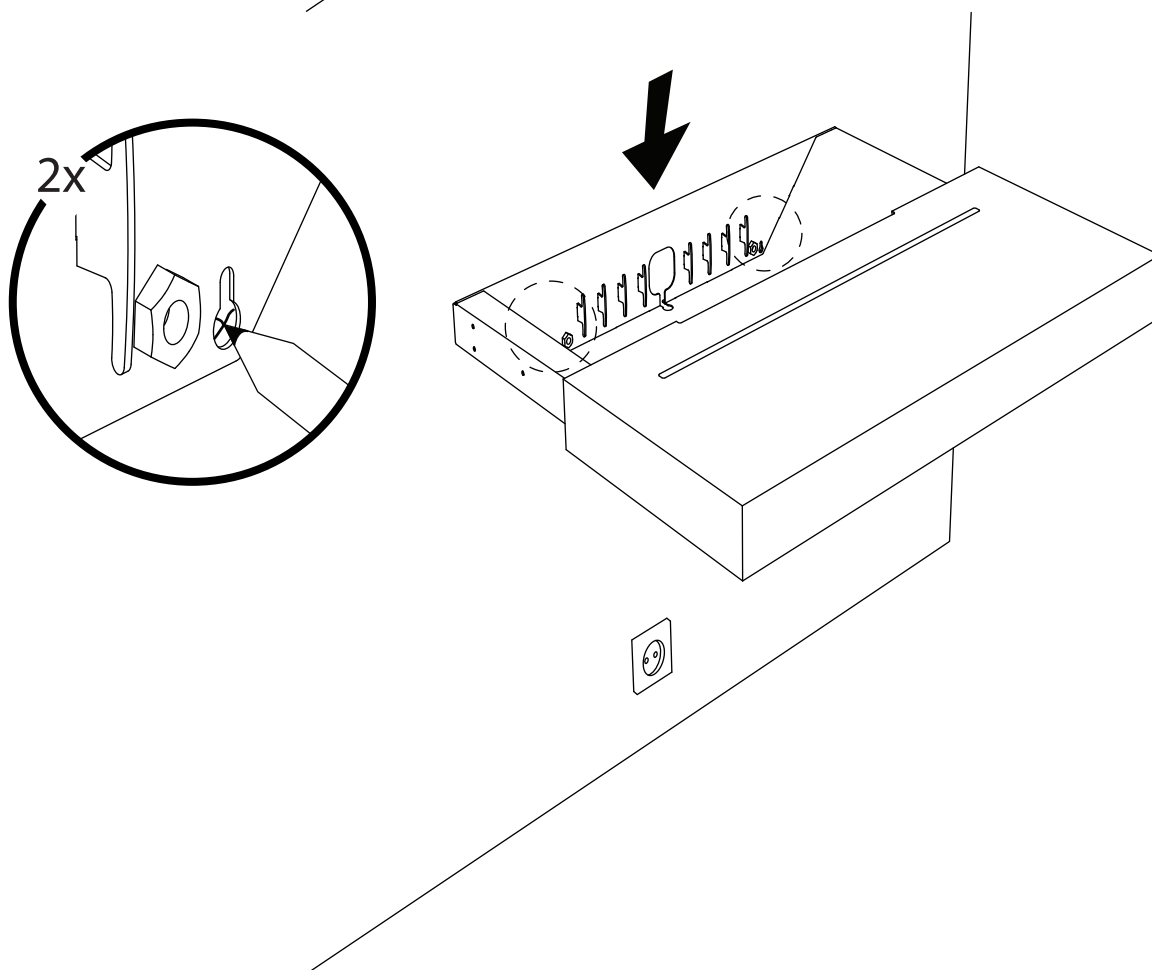
If you have any questions, please call us.

spell®

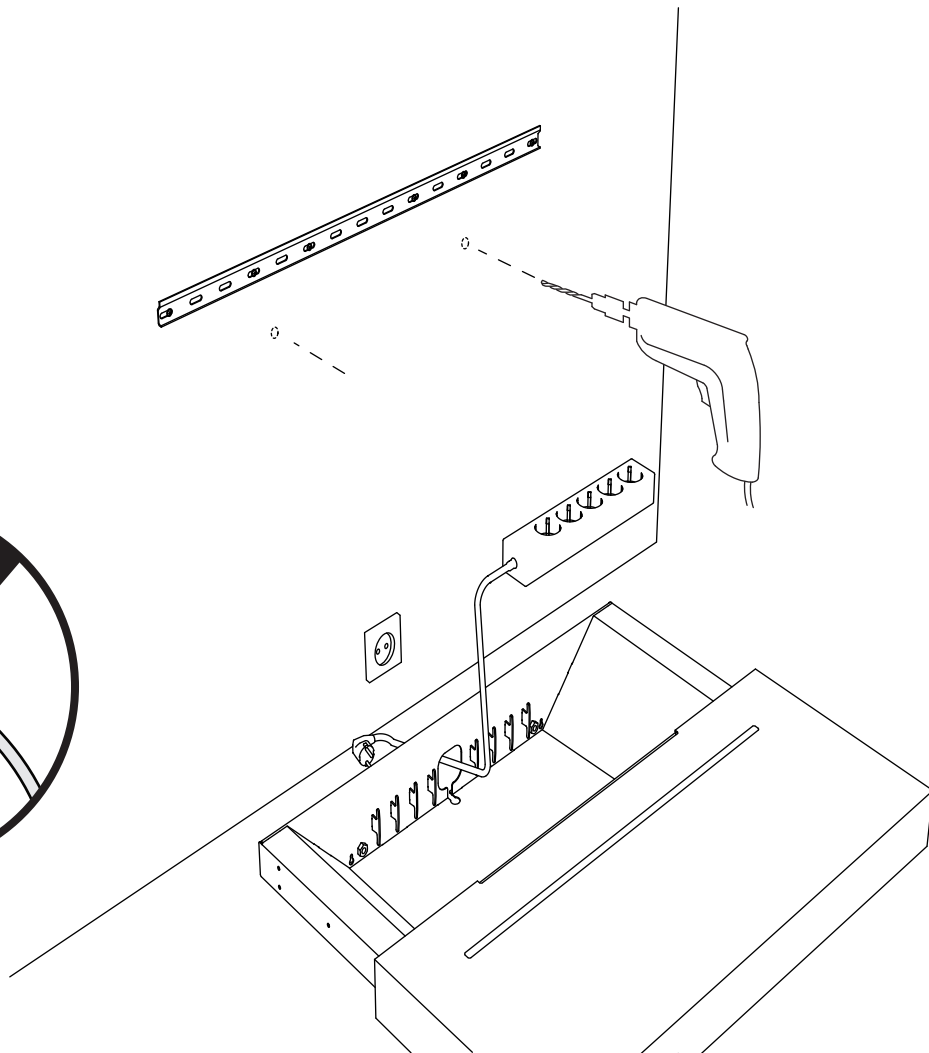
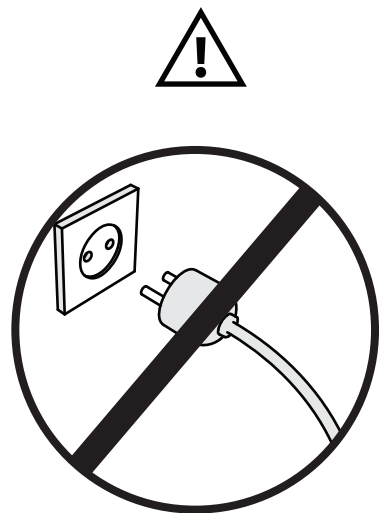




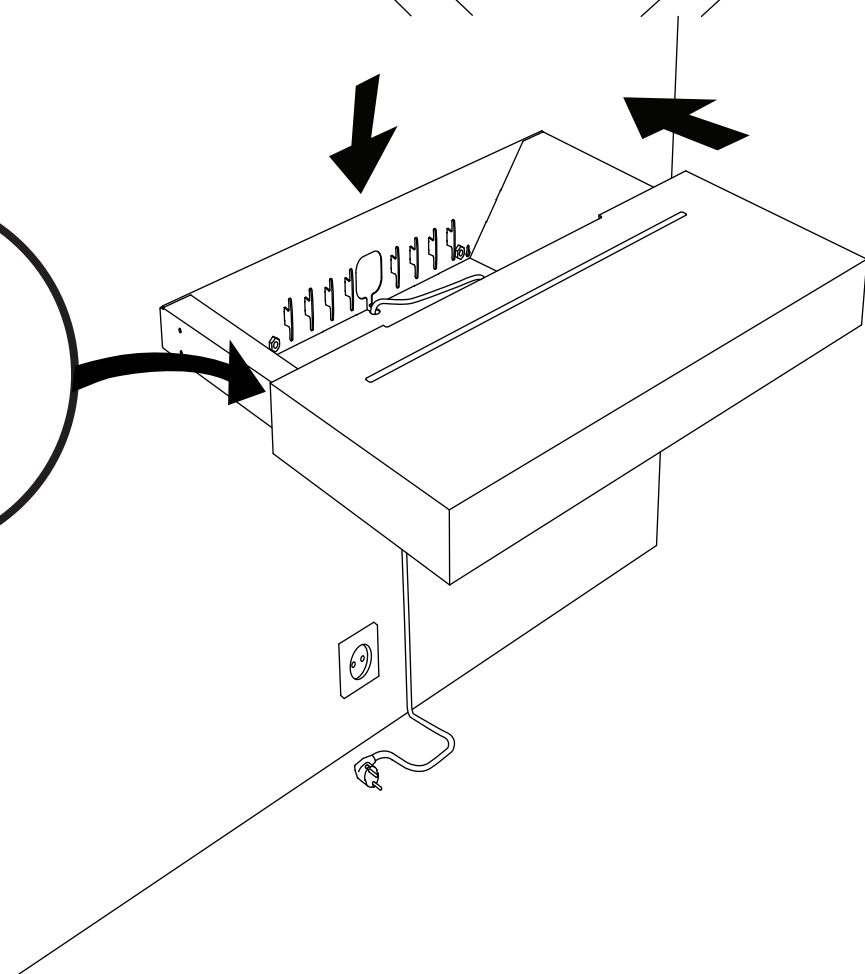
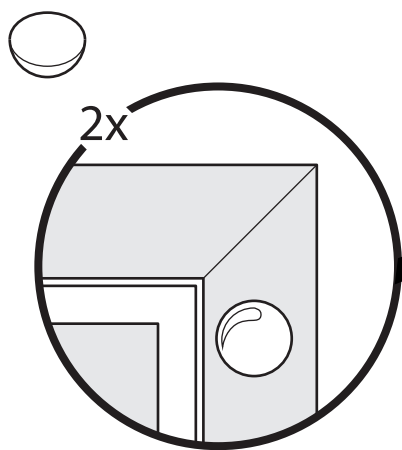
3



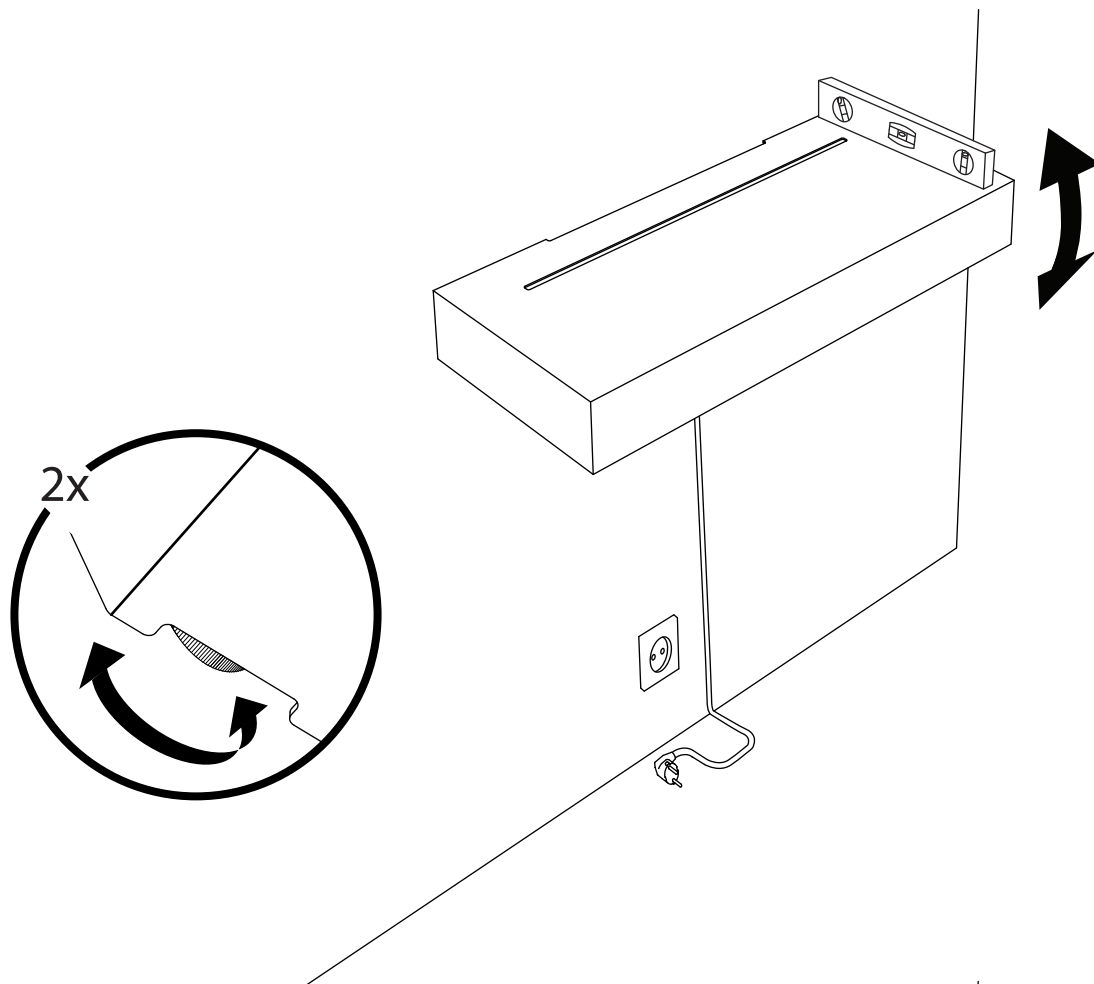
4



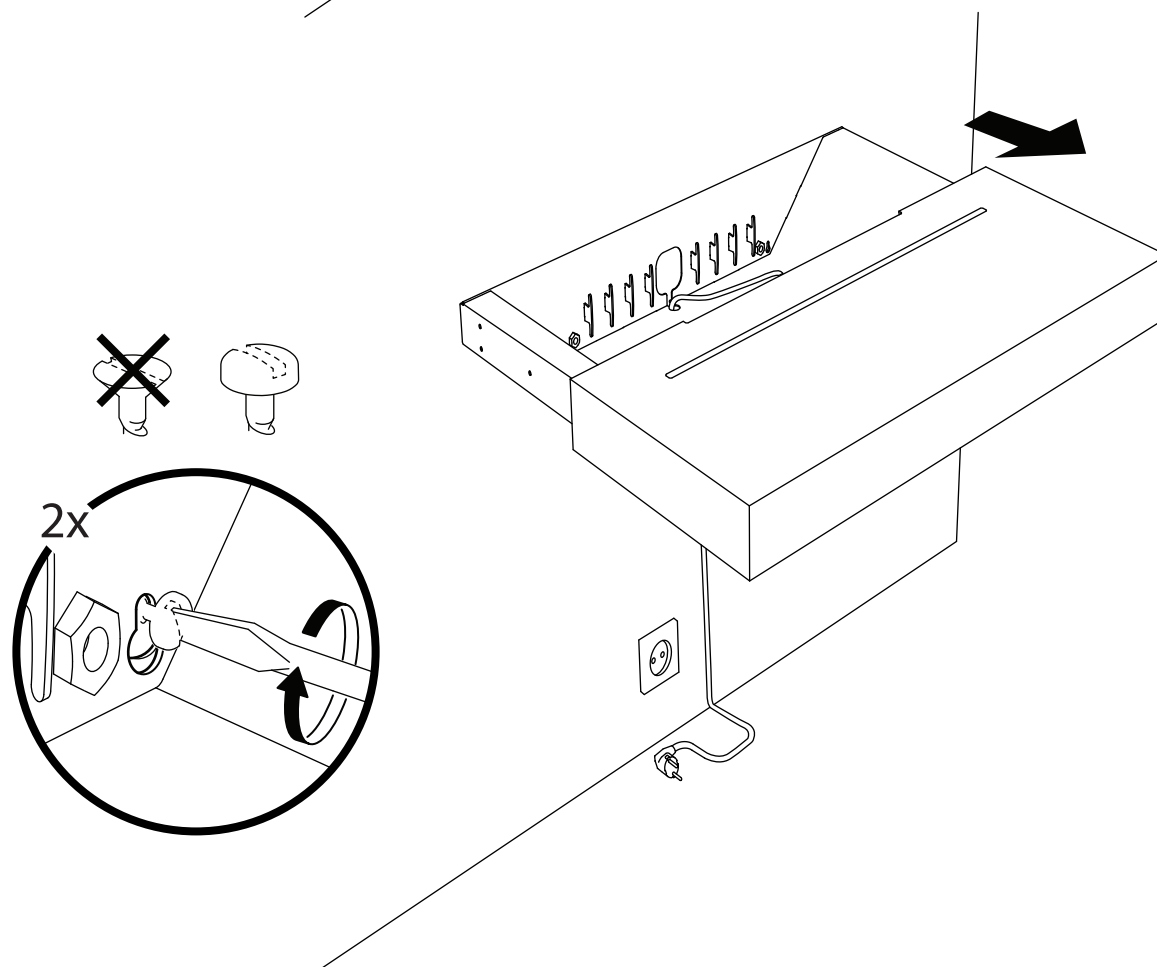
5



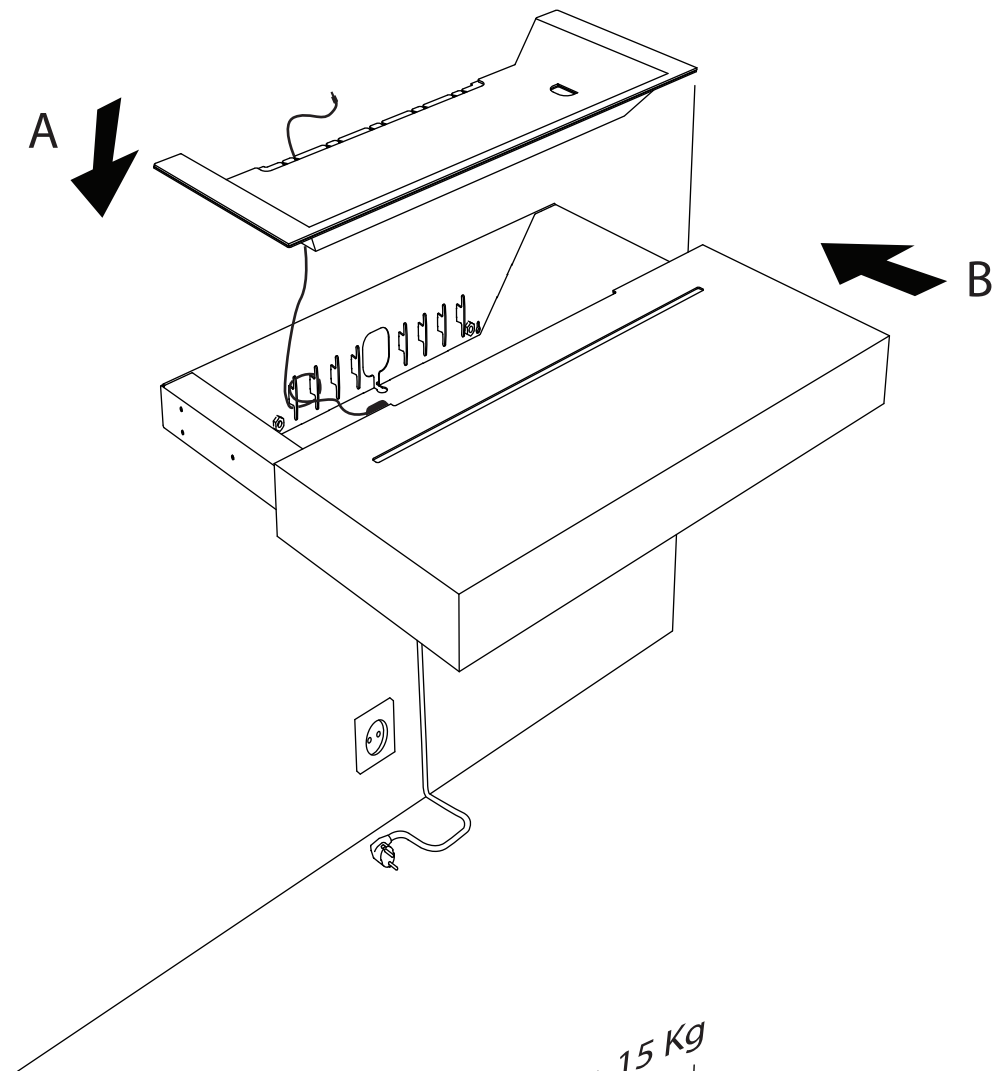
6



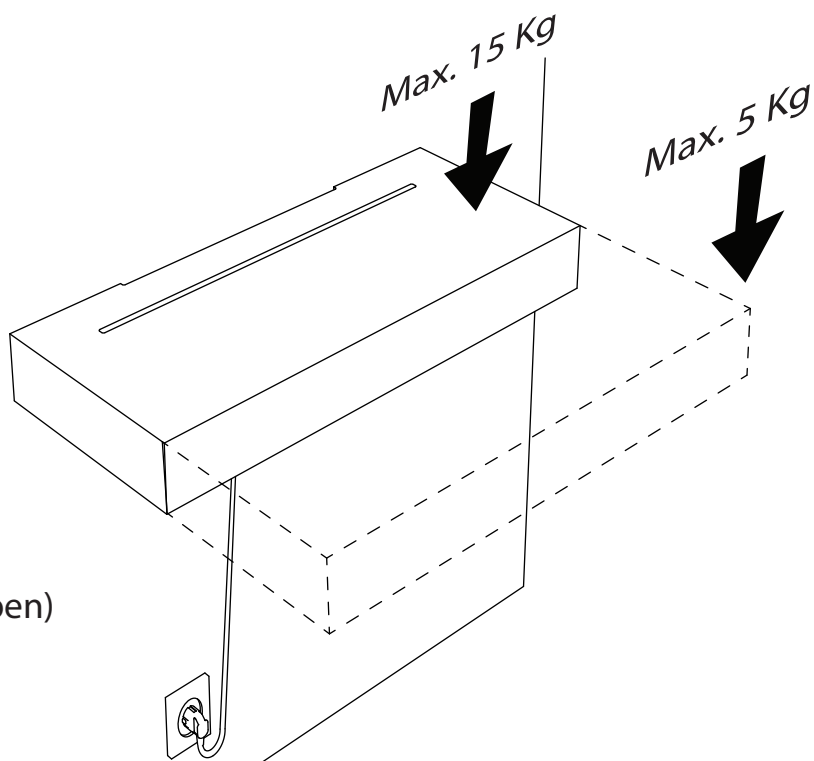
7




8



9



10


Max. Load 15 Kg (Closed)
Max. Load 5 Kg on TOP (Open)
Only when mounted
on a solid wall