



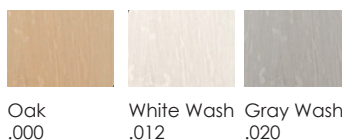
The SHIFT Table merges everyday living and working for the entrepreneurial nomad. People that quickly and easily want to switch between work and personal life all the while staying conveniently 'connected'. The Shift Table helps you keep unattractive cables out of sight while your devices can stay within reach, safely and effortlessly recharging in their own hidden place.

Tailored sizes and combinations are possible on request.

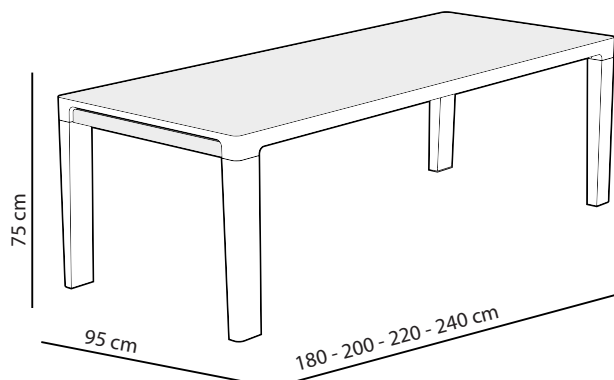
Information

Design: Spell, 2015
Material: Solid Wood, Steel

Wood / Finish options combinations



For more options, please contact us.



Dimensions (LxWxH)

Product: 180 x 95 x 75 cm / 70.8 x 37.4 x 29.5 inch
200 x 95 x 75 cm / 78.7 x 37.4 x 29.5 inch
220 x 95 x 75 cm / 86.6 x 37.4 x 29.5 inch
240 x 95 x 75 cm / 94.4 x 37.4 x 29.5 inch

Package / on Pallet: 240 x 100 x 45 cm / 94.4 x 39.3 x 17.7 inch

Weights

Product: 65 / 75 / 85 / 95 kg + 10kg package weight



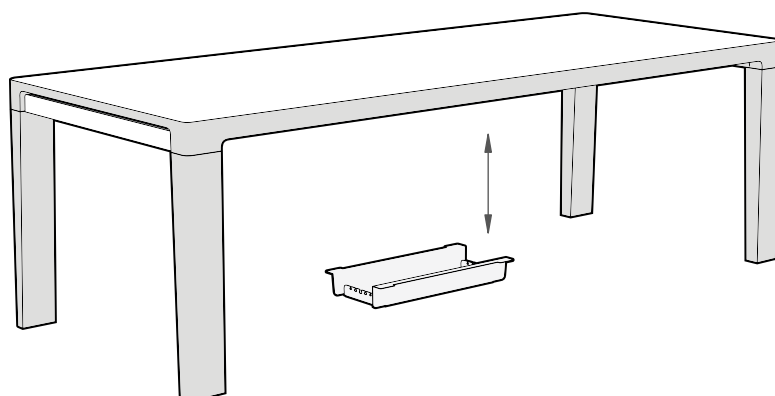
Marks



*Specifications are subject to change without prior notice.
Colours on screen/print may not be representative.

CITY BASIC

- FIXED SIDES WITH CENTRAL HUB

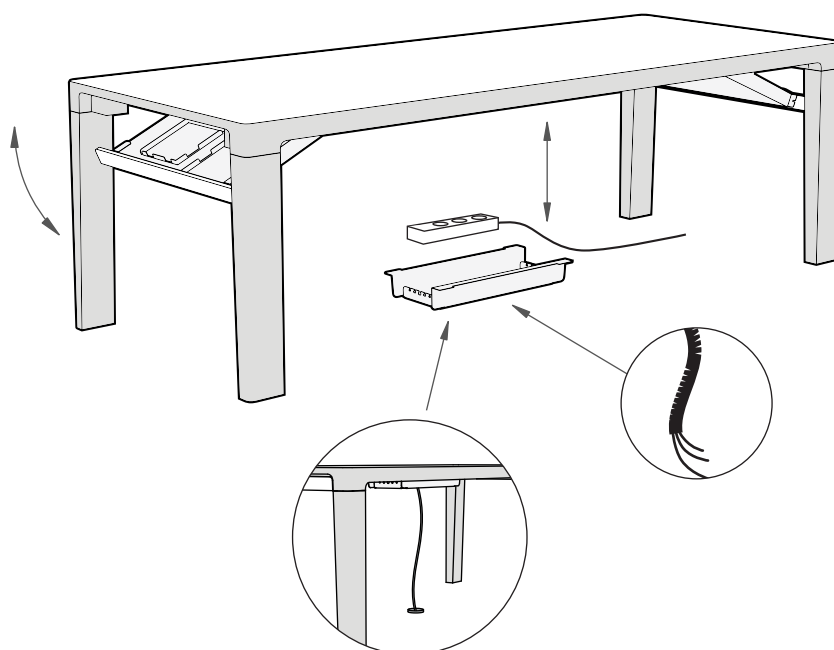


URBAN PLUS

- 1 SIDE FOLDING DOCK SYSTEM

OR

- 2 SIDE FOLDING DOCK SYSTEM

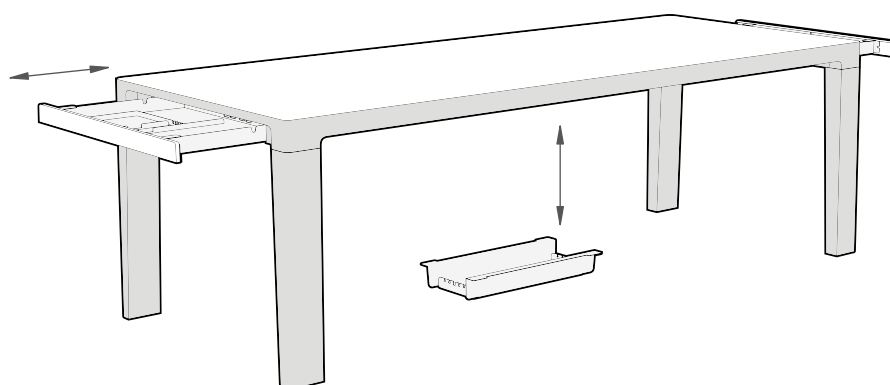


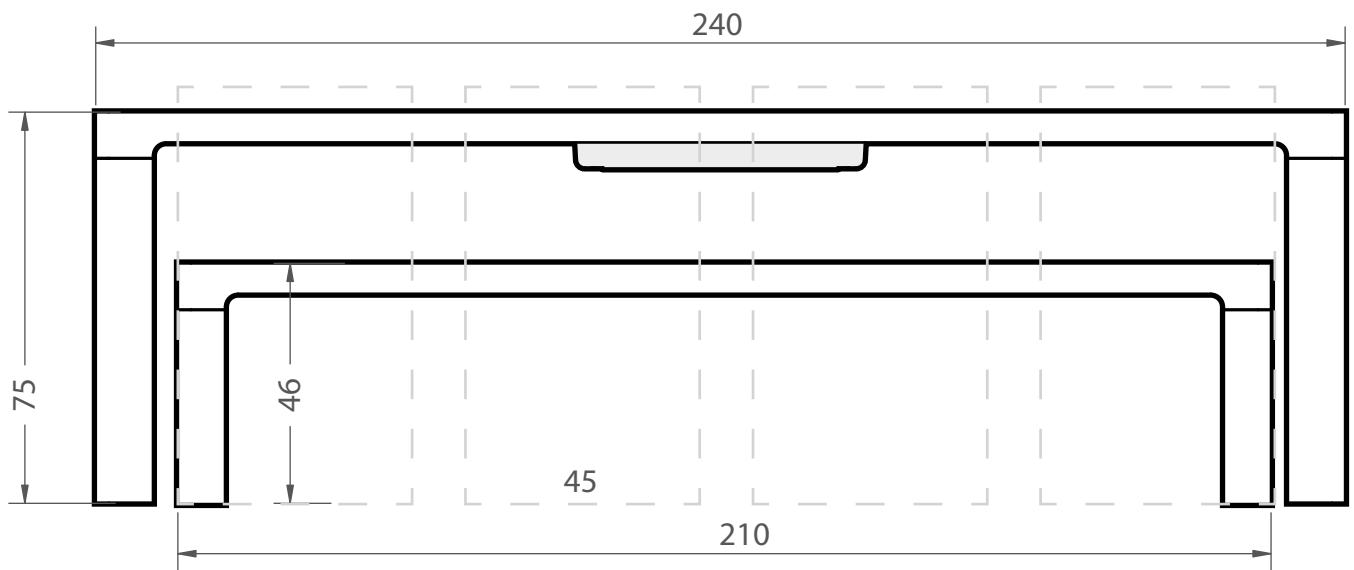
METROPOLITAN PRO

- 1 SIDE SLIDE DOCK SYSTEM

OR

- 2 SIDE SLIDE DOCK SYSTEM





For Tailored Bench (Length) sizes that need to slide under your Tailored table (Length) size, please follow: Table Length - 30cm.

e.g CW Table (L) 240 cm, fitting CW Bench (L) 210 cm.